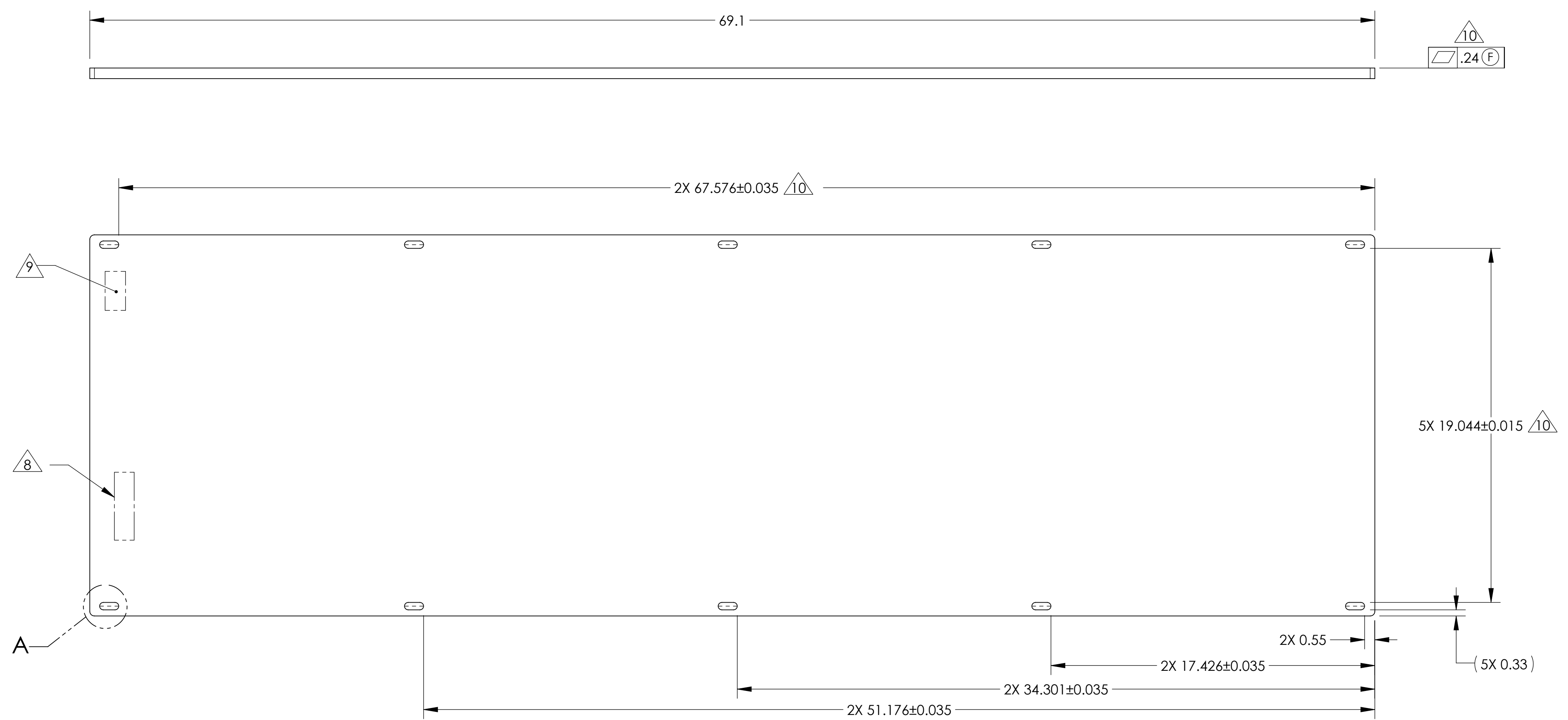
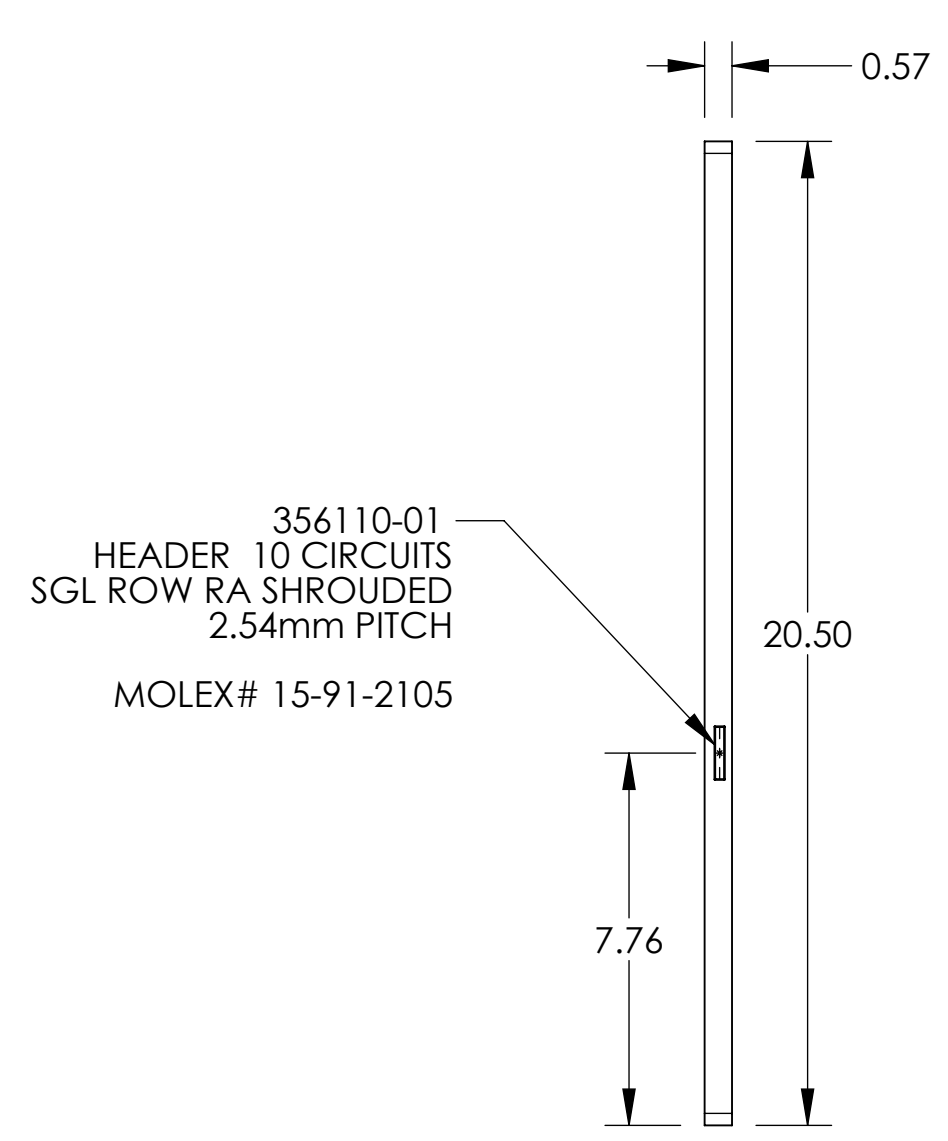


NOTES: (UNLESS OTHERWISE SPECIFIED)

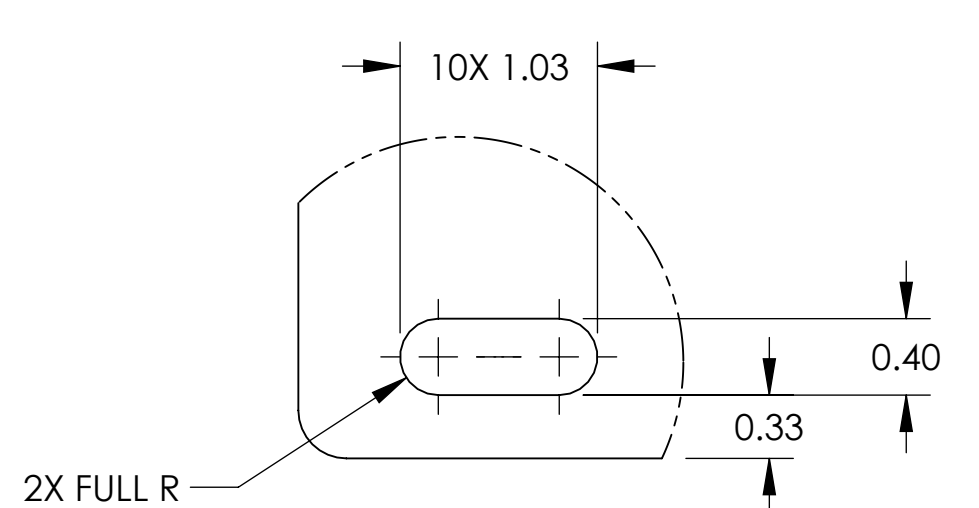
- ALL DIMENSIONS ARE IN INCHES.
- INTERPRET DRAWING PER ASME Y14.5M-2009.
- DELETED
- ASSEMBLY SHALL CONFORM TO SPECIFICATION DIRS: 10000316064 (CURRENT VERSIONS).
- IN PROCESS OF MANUFACTURING STATIC SENSITIVE ASSEMBLIES, THE FOLLOWING STANDARD MUST COMPLY WITH ANSI/ESD S20.20-2014.
- COMPONENTS AND/OR ASSEMBLIES SHALL BE FREE OF HAZARDOUS MATERIAL PER DIR 10000173294 (CURRENT VERSION). CERTIFICATE OF CONFORMANCE SHALL ACCOMPANY EACH SHIPMENT.
- PER NOTE 4, A CERTIFICATE OF CONFORMANCE TO PERFORMANCE SPECIFICATIONS SHALL ACCOMPANY EACH UNIT. ASSEMBLIES THAT DO NOT PASS THIS TEST SHALL NOT BE ACCEPTABLE TO BD.

- 8 NAMEPLATE LABEL TO INCLUDE FCC ID NUMBER. PLACE APPROXIMATELY WHERE SHOWN, FAR SIDE.
- 9 IDENTIFY PART WITH MATERIAL NUMBER, CURRENT REVISION LETTER, SERIAL NUMBER AND DATE OF MANUFACTURE. LOCATE APPROXIMATELY WHERE SHOWN FAR SIDE.
- 10 DENOTES CRITICAL DIMENSION.

REVISIONS				
ZONE	REVISION	DESCRIPTION	DATE	CO NO
N/A	A	RELEASE	06SEPT2017	1111321
N/A	B	CONVERTED TO INCHES, UPDATE THE FOLLOWING DIM TO MATCH VENDORS - DIM IS: 20.50 (520.7mm); WAS: 20.47 (520mm); CHANGED DIMS SCHEME FOR SLOTTED HOLES; DIM IS: 7.76. WAS: 7.8; ADD NOTE 10	28SEP2017	1111538



PIN Number	Signal	Internal Component
1	GND	To RFID Module
2	GND	To RFID Module and EEPROM
3	5V	To RFID Module
4	5V	To RFID Module and EEPROM
5	I2C_SDA	To EEPROM
6	I2C_SCL	To EEPROM
7	RESET	To RFID Module
8	READER_EN	To RFID Module
9	TXD	To RFID Module
10	RXD	To RFID Module



DETAIL A
SCALE 1 : 1
10X

SPEC CONTROL DRAWING

SEE SAP/DIR FOR APPROVALS	INCH	UNLESS OTHERWISE SPECIFIED TOLERANCES ARE		TITLE	
		DECIMALS	ANGLES	ANTENNA SUPPLY RF	
PROPRIETARY NOTICE:		1 DEC = ± 0.04	± 1°	SIZE	REVISION
THIS DOCUMENT AND ALL INFORMATION HEREIN ARE THE PROPERTY OF BECTON, DICKINSON AND COMPANY AND CONSTITUTE THE CONFIDENTIAL INFORMATION THEREOF. THEY SHALL NOT BE REPRODUCED, SHARED WITH THIRD PARTIES OR OTHERWISE DISTRIBUTED, IN WHOLE OR IN PART, OR USED FOR ANY PURPOSE OTHER THAN THE SPECIFIC PURPOSE FOR WHICH THEY WERE PROVIDED, WITHOUT PRIOR WRITTEN AUTHORIZATION FROM BECTON, DICKINSON AND COMPANY. THE DOCUMENT SHALL BE DESTROYED OR RETURNED, UPON DEMAND.		2 DEC = ± 0.02		D	B
		3 DEC = ± 0.010		MATERIAL NUMBER	SHEET
		THIRD ANGLE PROJECTION		355467-01	1 OF 1
DO NOT SCALE DRAWING	SCALE 1:4	DOC NUMBER (DOC TYPE - DOC NUMBER - DOC PART - DOC VERSION)			
		DTC-20000025109-000-07			