

RF_CONN

BD

C1

U1

Backwall RFID
Interface Board
Rev 1.0 03/27/17

VENTURE
Research Inc.

1750 (mil)

1400 (mil)

BD

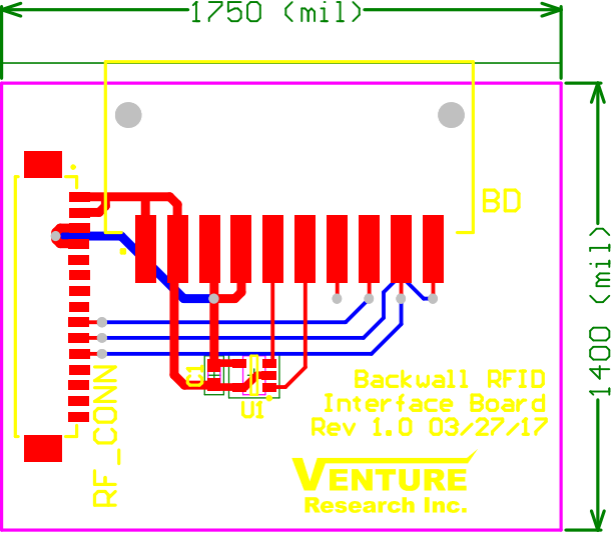
RF_CONN

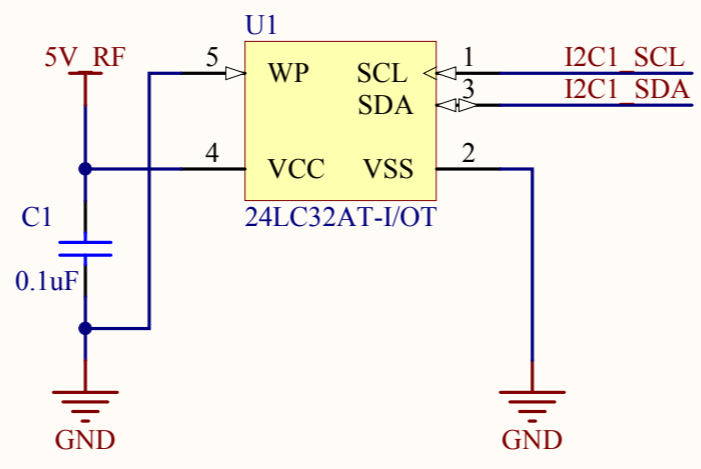
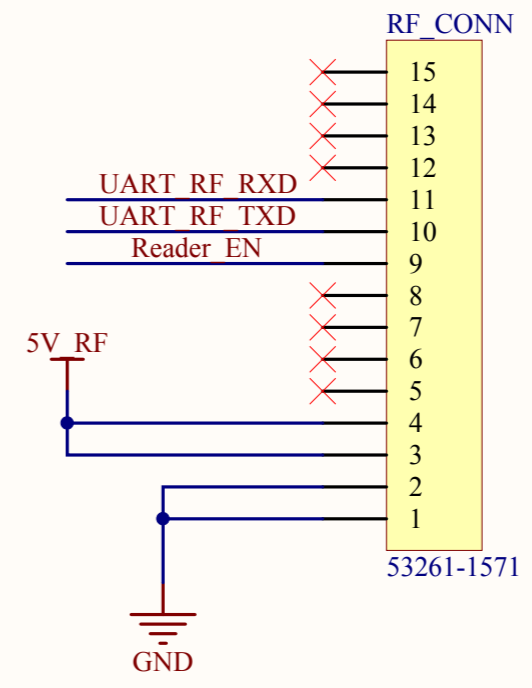
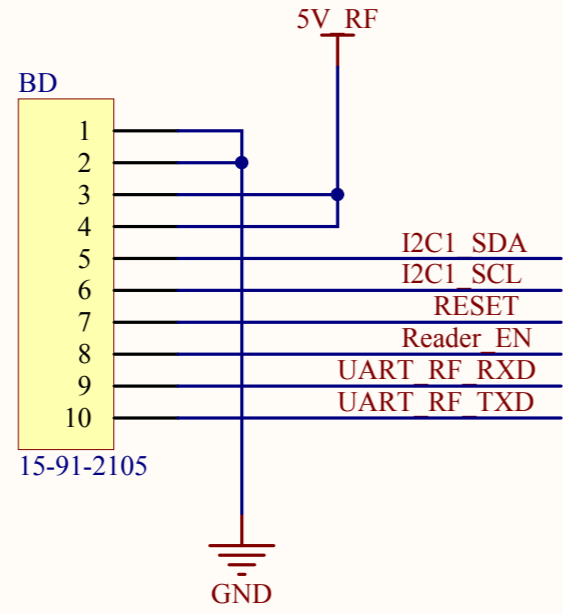
U1

U1

Backwall RFID
Interface Board
Rev 1.0 03/27/17

VENTURE
Research Inc.





Title Backwall RFID Interface Board Rev 1.0.SchDoc		Venture Research Inc. 3001 Summit Ave. Suite 100 Plano, TX 75074 USA		Cannot open file C:\Users\jcastillo\Desktop \vrlogo_800x600.bmp
Size: A	Sheet 1 of 1	Revision: A		
Date: 4/5/2017	Drawn by: Jesus Castillo			
File: M:\Altium\Altium Designer Summer 09\Projects\Backwall RFID Interface Board Rev 1.0\Backwall RFID Interface Board Rev 1.0.SchDoc				

1750 (mil)

1400 (mil)

BD

RF_CONN

U1
U1

Backwall RFID
Interface Board
Rev 1.0 03/27/17

VENTURE
Research Inc.

